

# MR16 BRASS WELL LIGHT

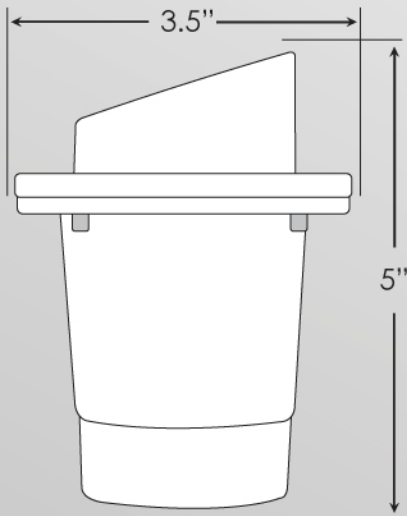
490064 = 3' Pigtail

Construction: Cast Brass  
Finish: Weathered Brass  
Weight: 1.7 Lbs  
Voltage: 12 or 24 Volt  
Lens: Clear Glass Lens  
Wire: 3' Pigtail (18/2)  
Wattage: Maximum 50 Watts



Well Lights

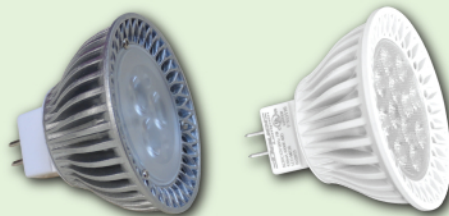
800.883.2590



## Lamp Options

### LED Option:

4W, 5W, 7W LED MR16



### Halogen Option:

Osram ECO MR16 - 14W, 20W, 35W  
Osram Titan - 20W, 35W  
Osram Halogen - 20W, 35W